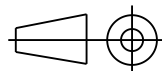
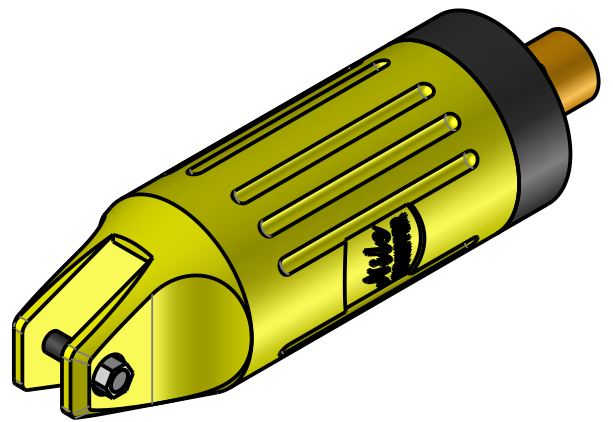
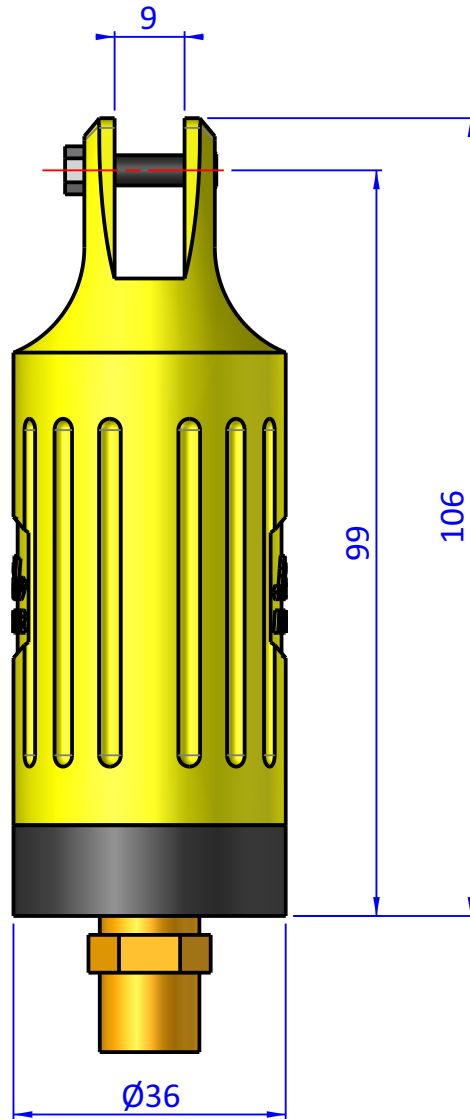
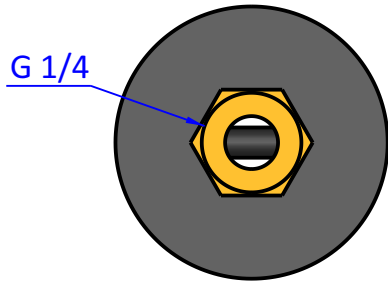


THE PROPERTY OF THE DRAWING IS ESTABLISHED BY LAW. IT IS FORBIDDEN TO PRODUCE OR SHOW IT TO THIRD PART. WITHOUT A WRITTEN AGREEMENT.



DESIGNED FROM		REVIEW
FPS Automation		A
DATE	WEIGHT	
10/02/2026	0,160kg	
CODE		
CA.MR.10M		

Format	A4
UNI 936-76	

GENERAL TOLERANCE
UNI - ISO 2768
CLASSE f

DESCRIPTION
CA.MR.10M